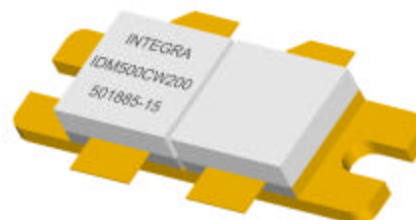


UHF-Band RF Power MOSFET

The high power transistor part number IDM500CW200 is designed for VHF/UHF-Band systems operating at 1-500 MHz. Operating at CW conditions, this dual MOSFET device supplies a minimum of 200 watts of power across the instantaneous operating bandwidth of 1-500 MHz. All devices are 100% screened for large signal RF parameters.



Silicon MOSFET

- High Power Gain
- Superior thermal stability

Class AB Operation

- Gate biased to $I_{DQ}=2 \times 100\text{mA}$

Configuration

- Common Source

Gold Metal

- Maximum Reliability

BeO Package

- Unmatched Thermal Reliability

Epoxy Sealed Lid

- Gross Leak Qualified

RF Test Fixture

- Narrowband
- Matched to 50Ω
- Long-term Correlation
- 100% Device RF Screening
- No External Tuning required

TYPICAL DATA TYPICAL DATA TYPICAL DATA TYPICAL DATA

Device	Freq (MHz)	V _{DD} (V)	P _{IN} (W)	IRL (dB)	P _{OUT} (W)	Gain (dB)	I _D (A)	h _d (%)
D5228-1	200	28	8.5	15	224	14.2	11.9	67.3
D5228-1	300	28	14.9	24	246	12.2	13.1	67
D5228-1	400	28	20	29	256	11.1	13.3	68.5
D5228-1	500	28	21	28	213	10.1	12.0	63.4

MAXIMUM RATINGS

Screen	Parameter	Symbol	Min	Max	Units	Test Conditions
BD	Drain-Source Voltage	V_{DS}	--	80	V	--
BD	Gate-Source Voltage	V_{GS}	--	20	V	--
BD	Storage Temperature Range	T_{STG}	-55	+200	°C	--
BD	Operating Junction Temperature Range	T_J	-55	+200	°C	--
Note	Screen 'BD' = parameter qualified By Design.					

THERMAL CHARACTERISTICS

Screen	Parameter	Symbol	Min	Max	Units	Test Conditions
BD	Thermal Resistance	$R_{TH(JC)}$	--	0.46	°C/W	$V_{CC}=28V, I_{bQ}=2x100mA, T_F=25\pm5^\circ C, P_{OUT}=200W$
Note	Screen 'BD' = parameter qualified By Design.					

PROCESSING SPECIFICATIONS

Screen	Parameter	Symbol	Min	Max	Units	Test Conditions
100%	DC Wafer Probe	--	--	--	--	Per Integra specification.
Q1	Wafer DC and RF Qualification	--	--	--	--	Per Integra specification.
LM	Wire Bond Strength	--	--	--	--	Line monitor per Integra specification.
100%	Pre-cap visual inspection	--	--	--	--	Per Integra specification
100%	Gross leak test	--	--	--	--	MIL-STD-750D, Method 1071, Test Condition C
Note	Screen 'Q1' = parameter is qualified by assembly and test of 3 pieces minimum per wafer.					
Note	Screen 'LM' = parameter is qualified by assembly line monitor.					

DC ELECTRICAL CHARACTERISTICS

Screen	Parameter	Symbol	Min	Max	Units	Test Conditions
100%	Drain-Source Breakdown Voltage	BV_{DSS}	70	--	V	$I_b = 40mA, V_{GS} = 0V, T_F = 25\pm5^\circ C$
100%	Drain Leakage Current (each side)	I_{DSS}	--	100	μA	$V_{DS} = 28V, V_{GS} = 0V, T_F = 25\pm5^\circ C$
100%	Gate Threshold Voltage 2 (each side)	V_{GSTH2}	1.5	--	V	$I_b = 30mA, V_{GS} = 10V, T_F = 25\pm5^\circ C$

RF ELECTRICAL CHARACTERISTICS

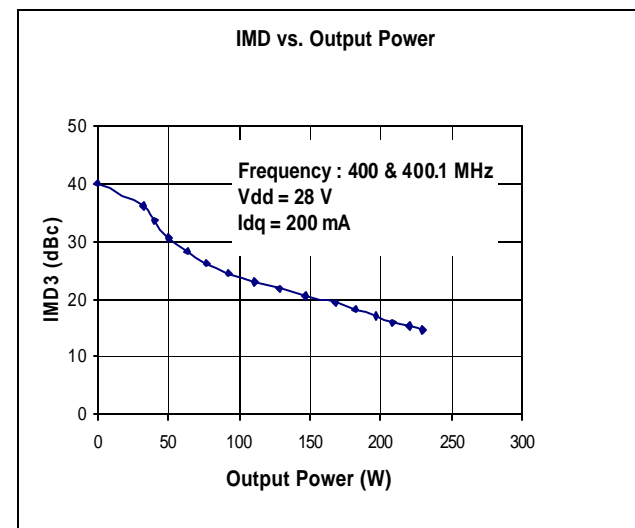
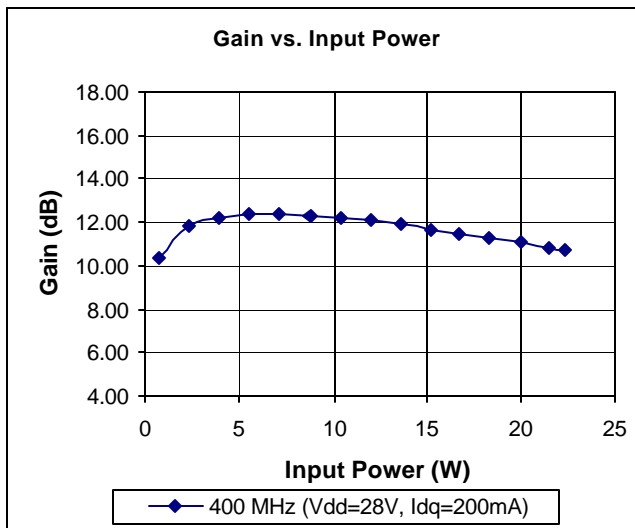
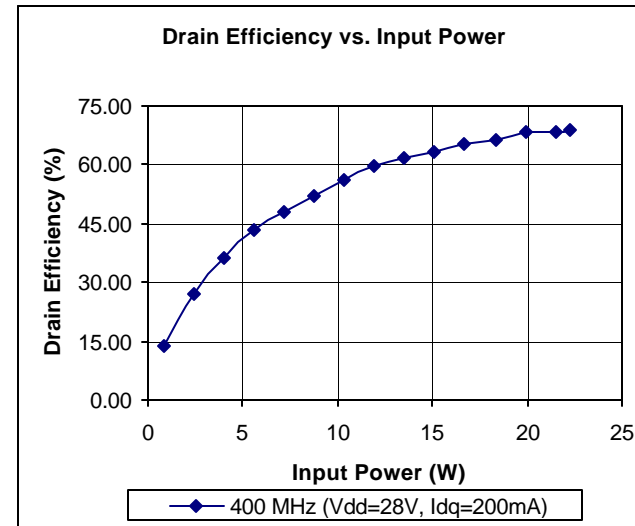
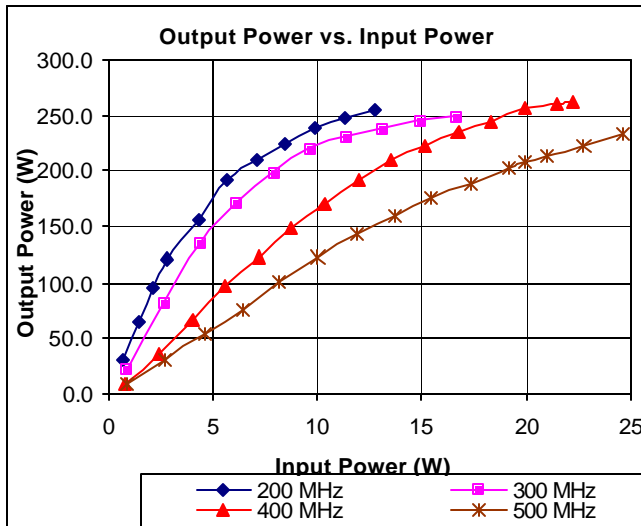
Screen	Parameter	Symbol	Min	Max	Units	Test Conditions
100%	Input Return Loss	IRL	10		dB	$V_{DD}=28V, I_{DQ}=2x100mA, T_F=25\pm5^\circ C, P_N=20W, F=400MHz$
100%	Output Power	P_O	200		W	$V_{DD}=28V, I_{DQ}=2x100mA, T_F=25\pm5^\circ C, P_N=20W, F=400MHz$
100%	Drain Efficiency ($P_O/I_D/V_{DD}$)	η_D	50		%	$V_{DD}=28V, I_{DQ}=2x100mA, T_F=25\pm5^\circ C, P_N=20W, F=400MHz$
						$V_{DD}=28V, I_{DQ}=2x100mA, T_F=25\pm5^\circ C, P_N=20W, F=400MHz$
BD	Input Capacitance	C_{ISS}		240	pF	$V_{DD}=28V, V_{GS}=0V, F=1MHz$
BD	Output Capacitance	C_{OSS}		120	pF	$V_{DD}=28V, V_{GS}=0V, F=1MHz$
BD	Reverse Transfer Capacitance	C_{RSS}		15	pF	$V_{DD}=28V, V_{GS}=0V, F=1MHz$
Note 2	T_F = Device flange temperature.					

RF TEST FIXTURE IMPEDANCE CHARACTERISTICS

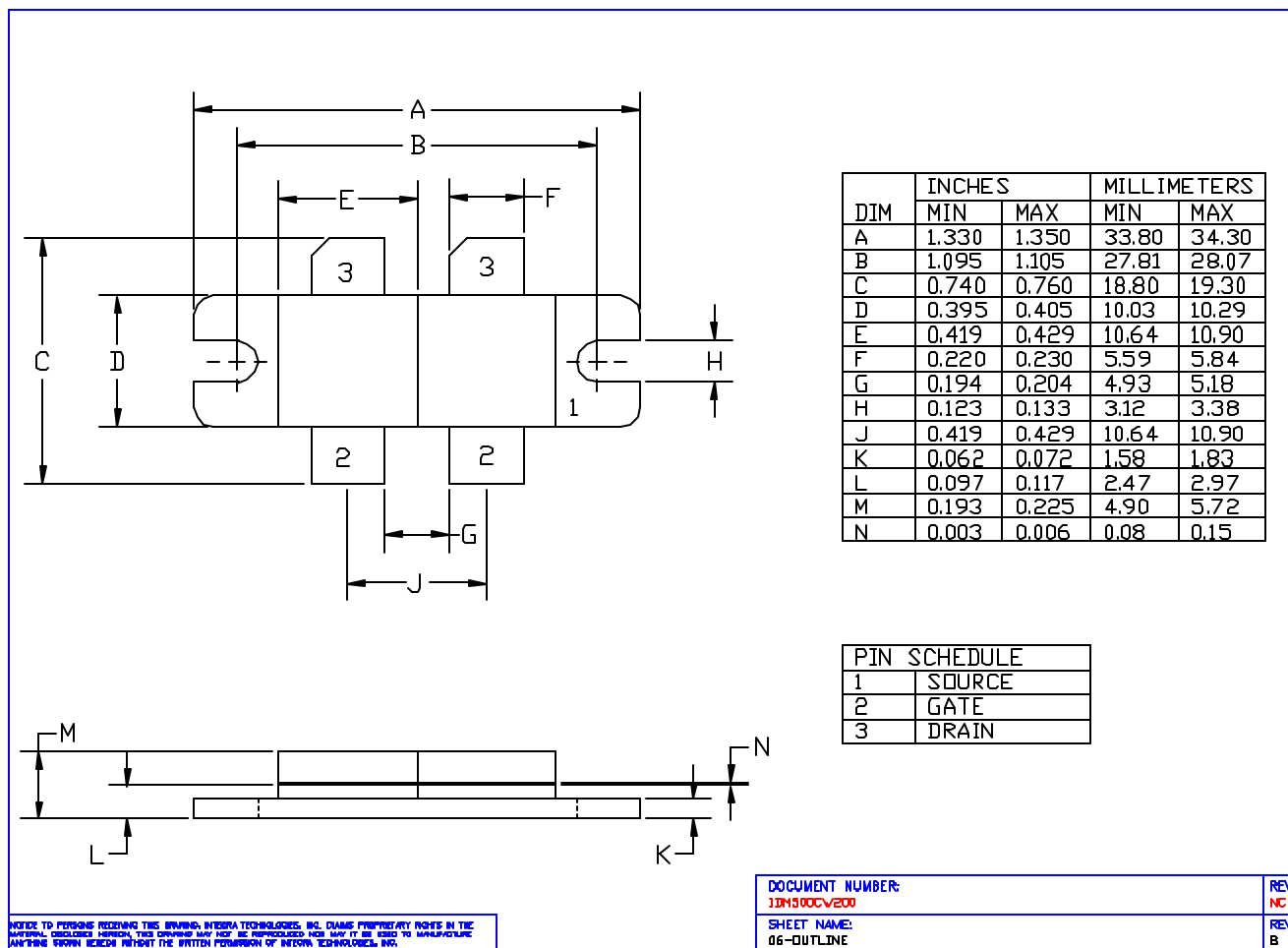
Frequency (MHz)	$Z_F (W)$	$Z_{OF} (W)$
200	9.56+j8.82	7.20-j5.98
300	2.02+j0.46	7.92-j5.60
400	1.10-j1.44	3.64-j1.82
500	0.72-j1.48	1.76-j2.28

Impedance Definition		
----------------------	--	--

Note : Input and output impedances are measured from gate to gate and drain to drain respectively.

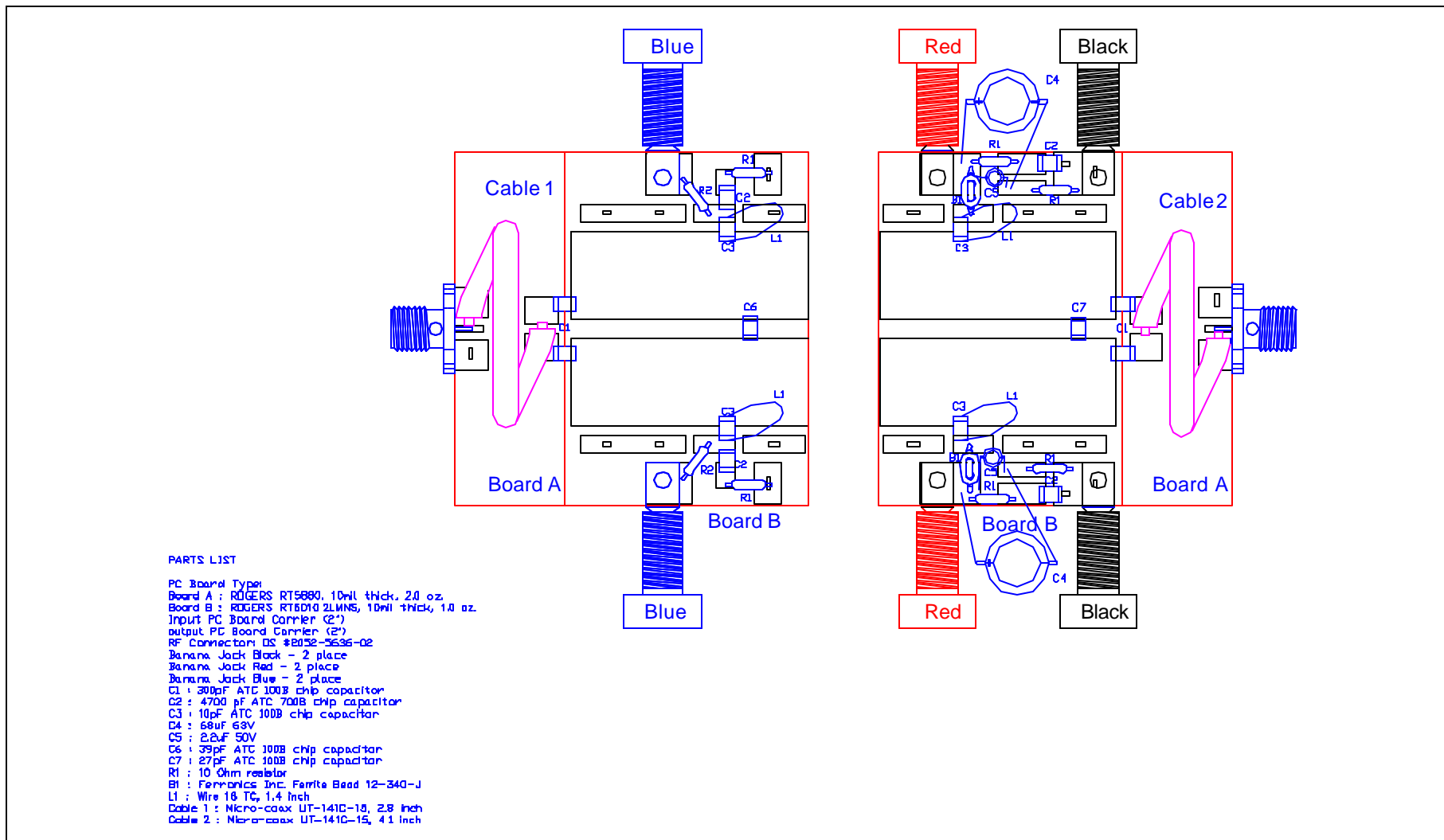


PACKAGE DIMENSIONAL OUTLINE DRAWING

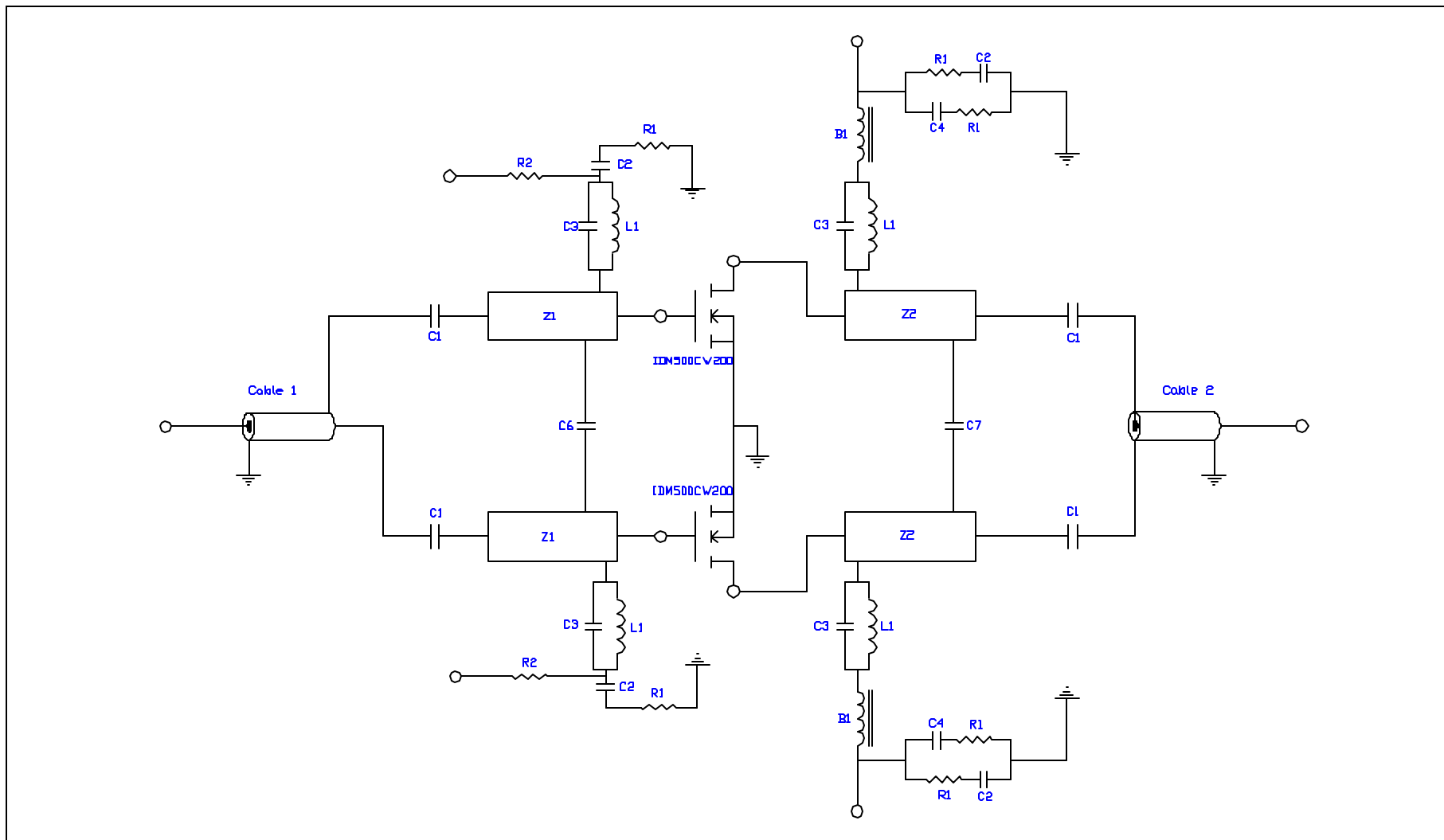


INSTEAD TO PERSONS RECEIVING THIS DRAWING, INTEGRATECH TECHNOLOGIES, INC. CLAIMS PROPRIETARY RIGHTS IN THE MATERIAL DESCRIBED HEREIN. THIS DRAWING MAY NOT BE REPRODUCED NOR MAY IT BE USED TO MANUFACTURE ANYTHING WITHOUT THE WRITTEN PERMISSION OF INTEGRATECH TECHNOLOGIES, INC.

RF TEST FIXTURE (400 MHz)



ELECTRICAL SCHEMATIC



DEFINITIONS

Data Sheet Status	
Proposed Specification	This data sheet contains proposed specifications.
Preliminary Specification	This data sheet contains specifications based on preliminary measurements and data.
Product Specification	This data sheet contains final product specifications.
Maximum Ratings	
Stress above one or more of the maximum ratings may cause permanent damage to the device. These are maximum ratings only. Operation of the device at these or at any other conditions above those given in the characteristics sections of the specification is not implied. Exposure to maximum values for extended periods of time may affect device reliability.	

WARNING

Product and environmental safety - toxic materials
This product contains beryllium oxide. The product is entirely safe provided that the BeO base is not damaged. All persons who handle, use or dispose of this product should be aware of its nature and of the necessary safety precautions. After use, dispose of as chemical or special waste according to the regulations applying at the location of the user. It must never be thrown out with general or domestic waste.

DISCLAIMER

Integra Technologies Inc. reserves the right to make changes without further notice to any products herein. Integra Technologies Inc. makes no warranty, representation or guarantee regarding the suitability of its products for any particular purpose, nor does Integra Technologies Inc. assume any liability arising out of the application or use of any product or circuit, and specifically disclaims any and all liability, including without limitation consequential or incidental damages. Integra Technologies Inc. products are not designed for use in life support appliances, devices, or systems where malfunction of these products can reasonably be expected to result in personal injury. Integra Technologies Inc. customers using or selling these products for use in such applications do so at their own risk and agree to fully indemnify Integra Technologies Inc. for any damages resulting from such improper use or sale.
--