

L-Band Radar Transistor

The high power pulsed radar transistor device part number IB0810M12 is designed for L-Band radar systems operating over the instantaneous bandwidth of 870-990 MHz. While operating in class C mode this common base device supplies a minimum of 12 watts of peak pulse power under the conditions of 300µs pulse width and 15% duty cycle. All devices are 100% screened for large signal RF parameters in a broadband RF test fixture with no external tuning. Excellent spectral stability into output mismatch over a broad input power range make it ideal for use in reliable high power solid state transmitters.



Silicon Bipolar

- Ultra-high f_T

Class C Operation

- High Efficiency

Common Base Configuration

- Single Power Supply

Gold Metal

- Maximum Reliability

Emitter Ballasting

- Optimum Thermal Distribution

Internal Impedance Matching

- Ease of Use
- Ultra-low Loss Design

BeO Package

- Unmatched Thermal Reliability

RF Test Fixture

- Broadband
- Matched to 50Ω
- Long-term Correlation
- 100% Device RF Screening
- No External Tuning Allowed
- Micro-strip structure on soft pc board with dielectric constant 10.2

TYPICAL DATA TYPICAL DATA TYPICAL DATA TYPICAL DATA

Freq (MHz)	P _{OUT} (W)	1dB-OD-Pout (W)	P _{IN} (W)	I _C (A)	IRL (dB)	Droop (dB)	Gain (dB)	N _C (%)	ΔGain (dB)	VSWR	
										2:1	3:1
870	12	13.7	2.1	0.637	19	-0.12	7.5	53	0.77	S	P
930	12	14.2	2.0	0.620	18	-0.12	7.7	53		S	P
990	12	13.6	1.8	0.620	17	-0.13	8.3	54		S	P

Pulse format = 300µs, 15%

MAXIMUM RATINGS

Screen	Parameter	Symbol	Min	Max	Units	Test Conditions
BD	Collector-Emitter Voltage	V_{CES}	--	75	V	$V_{BE}=0V$.
BD	Emitter-Base Voltage	V_{EBO}	--	3.0	V	--
BD	Storage Temperature Range	T_{STG}	-65	+200	°C	--
BD	Operating Junction Temperature Range	T_J	-55	+200	°C	--

Note | Screen 'BD' = parameter qualified By Design.

THERMAL CHARACTERISTICS

Screen	Parameter	Symbol	Min	Max	Units	Test Conditions
BD	Thermal Resistance	$R_{TH(JC)}$	--	3.25	°C/W	$V_{CC}=V1$, $PW=PW1$, $DF=DF1$, $T_F=25\pm5^\circ C$, $P_{OUT}=12W$.

Note | Screen 'BD' = parameter qualified By Design.

PROCESSING SPECIFICATIONS

Screen	Parameter	Symbol	Min	Max	Units	Test Conditions
100%	DC Wafer Probe	--	--	--	--	Per Integra specification.
Q1	Wafer DC and RF Qualification	--	--	--	--	Per Integra specification.
LM	Wire Bond Strength	--	--	--	--	Line monitor per Integra specification.
100%	Pre-cap visual inspection	--	--	--	--	Per Integra specification.
100%	Gross leak test	--	--	--	--	MIL-STD-750D, Method 1071, Test Condition C.
BD	Fine leak test	--	--	--	--	MIL-STD-750D, Method 1071, Test Condition H.

Note | Screen 'Q1' = parameter is qualified by assembly and test of 3 pieces minimum per wafer.

Note | Screen 'LM' = parameter is qualified by assembly line monitor.

Note | Screen 'BD' = parameter qualified By Design.

DC ELECTRICAL CHARACTERISTICS

Screen	Parameter	Symbol	Min	Max	Units	Test Conditions
100%	Collector-Emitter Breakdown Voltage	BV_{CES}	75	--	V	$I_C=5mA$, $V_{BE}=0V$, $T_F=25\pm5^\circ C$.
100%	Zero Base Voltage Collector Leakage Current	I_{CES}	--	1	mA	$V_{CE}=30V$, $V_{BE}=0V$, $T_F=25\pm5^\circ C$.
100%	DC Current Gain	H_{FE}	10	100	--	$V_{CE}=5V$, $I_C=0.1A$, $T_F=25\pm5^\circ C$.

RF ELECTRICAL CHARACTERISTICS

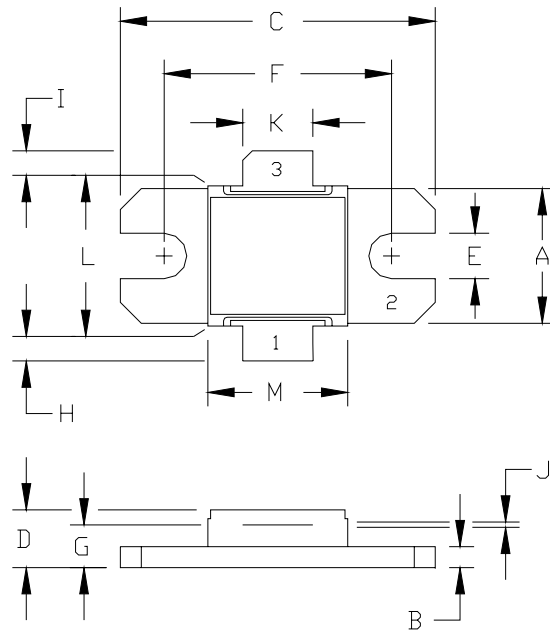
Screen	Parameter	Symbol	Min	Max	Units	Test Conditions
100%	Input Return Loss	IRL	10	--	dB	$V_{CC}=V1$, $PW=PW1$, $DF=DF1$, $T_F=25\pm5^\circ C$, $P_{OUT}=P_{OUT1}$, $F=F1, F2, F3$.
100%	Input Power	P_O	1.5	2.4	W	$V_{CC}=V1$, $PW=PW1$, $DF=DF1$, $T_F=25\pm5^\circ C$, $P_{OUT}=P_{OUT1}$, $F=F1, F2, F3$.
100%	Collector Efficiency ($P_O/I_C/V_{CC}$)	N_C	45	--	%	$V_{CC}=V1$, $PW=PW1$, $DF=DF1$, $T_F=25\pm5^\circ C$, $P_{OUT}=P_{OUT1}$, $F=F1, F2, F3$.
100%	Power Gain	G	7.0	9.0	dB	$V_{CC}=V1$, $PW=PW1$, $DF=DF1$, $T_F=25\pm5^\circ C$, $P_{OUT}=P_{OUT1}$, $F=F1, F2, F3$.
100%	Pulse Amplitude Droop	D	--	0.5	dB	$V_{CC}=V1$, $PW=PW1$, $DF=DF1$, $T_F=25\pm5^\circ C$, $P_{OUT}=P_{OUT1}$, $F=F1, F2, F3$. Delta peak power between 10 and 290us time positions.
100%	Power Gain Flatness versus Frequency	PGF	--	1.0	dB	$V_{CC}=V1$, $PW=PW1$, $DF=DF1$, $T_F=25\pm5^\circ C$, $P_{OUT}=P_{OUT1}$, $F=F1, F2, F3$. Calculate from $G_{MAX} - G_{MIN}$ @ $F=F1, F2$ & $F3$.
100%	Stability into 2:1 VSWR	VSWR-S	--	--	--	$V_{CC}=V1$, $PW=PW1$, $DF=DF1$, $T_F=25\pm5^\circ C$, $P_{OUT}=P_{OUT1}$, $F=F1, F2, F3$. Repeat P_O . Rotate 2:1 output VSWR through 360° phase. No oscillatory or pulse break-up characteristics allowed on detected output pulse. All non-harmonically related signals must be at least -65 dBc.
100%	3:1 Load Mismatch Tolerance	LMT	--	--	--	$V_{CC}=V1$, $PW=PW1$, $DF=DF1$, $T_F=25\pm5^\circ C$, $F=F1, F2, F3$. Rotate 3:1 output VSWR through 360° phase. Survival only. Post-test $P_O = \text{Pre-test } P_O \pm 2.5W$.
Note	$V1 = 36V$; $PW1 = 300\mu s$; $DF1 = 15\%$; $P_{OUT1} = 12W$; $F1 = 870 \text{ MHz}$, $F2 = 930 \text{ MHz}$, $F3 = 990 \text{ MHz}$.					
Note	$T_F = \text{Device flange temperature}$.					

RF TEST FIXTURE IMPEDANCE CHARACTERISTICS

Frequency (MHz)	$Z_{IF} (\Omega)$	$Z_{OF} (\Omega)$
870	3.8 - j4.8	8.4 + j11.2
930	3.8 - j4.5	8.9 + j10.3
990	3.7 - j4.5	8.5 + j13.4

Impedance Definition		
----------------------	--	--

PACKAGE DIMENSIONAL OUTLINE DRAWING



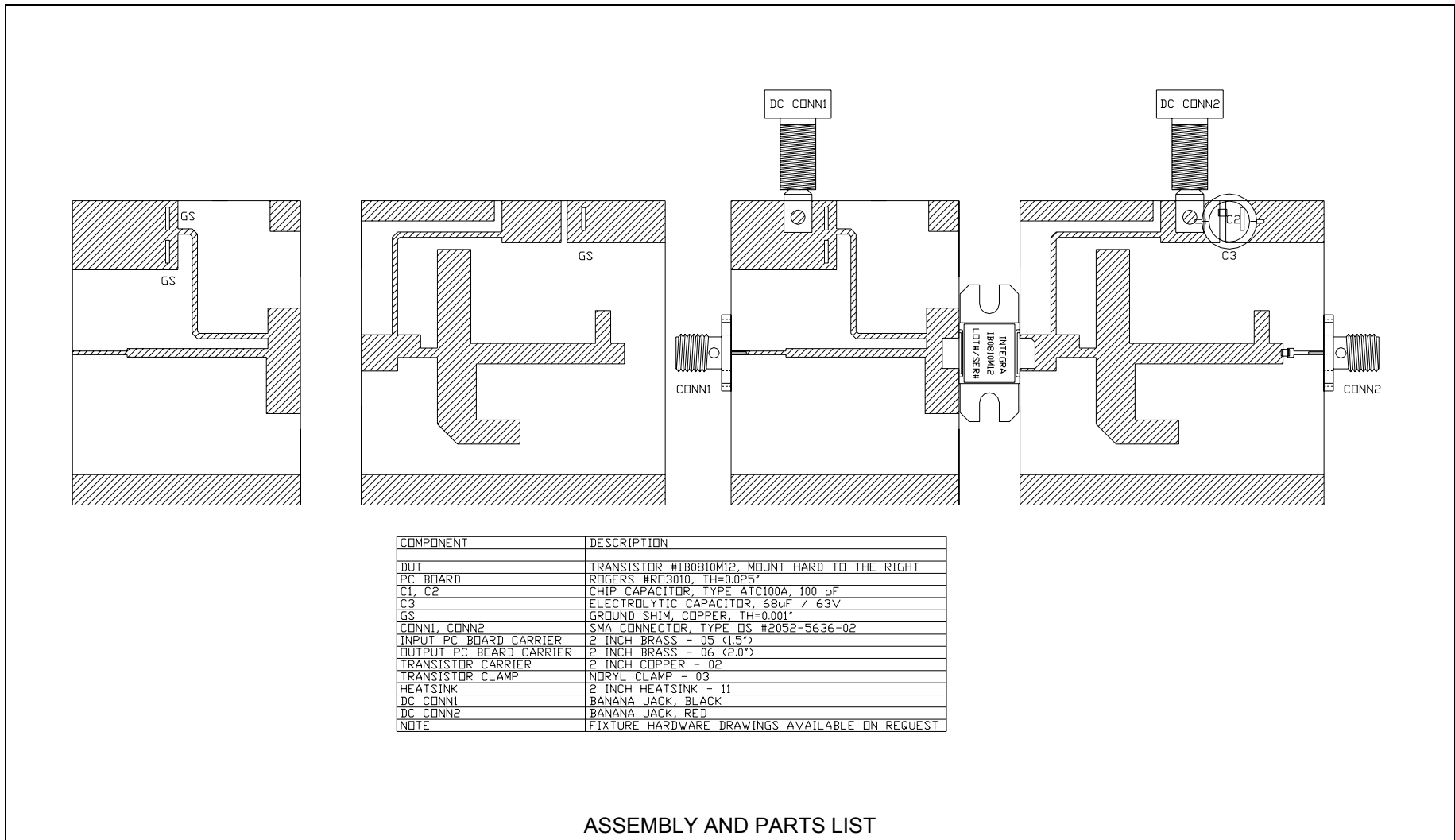
DIM	INCHES		MILLIMETERS	
	MIN	MAX	MIN	MAX
A	0.380	0.390	9.65	9.91
B	0.058	0.062	1.47	1.57
C	0.895	0.905	22.73	22.99
D	0.157	0.177	3.99	4.50
E	0.125	0.135	3.18	3.43
F	0.645	0.655	16.38	16.64
G	0.112	0.132	2.84	3.35
H	0.090	0.255	2.29	6.48
I	0.090	0.255	2.29	6.48
J	0.003	0.005	0.08	0.13
K	0.195	0.205	4.95	5.21
L	0.395	0.405	10.03	10.29
M	0.395	0.405	10.03	10.29

PIN SCHEDULE	
1	EMITTER
2	BASE
3	COLLECTOR

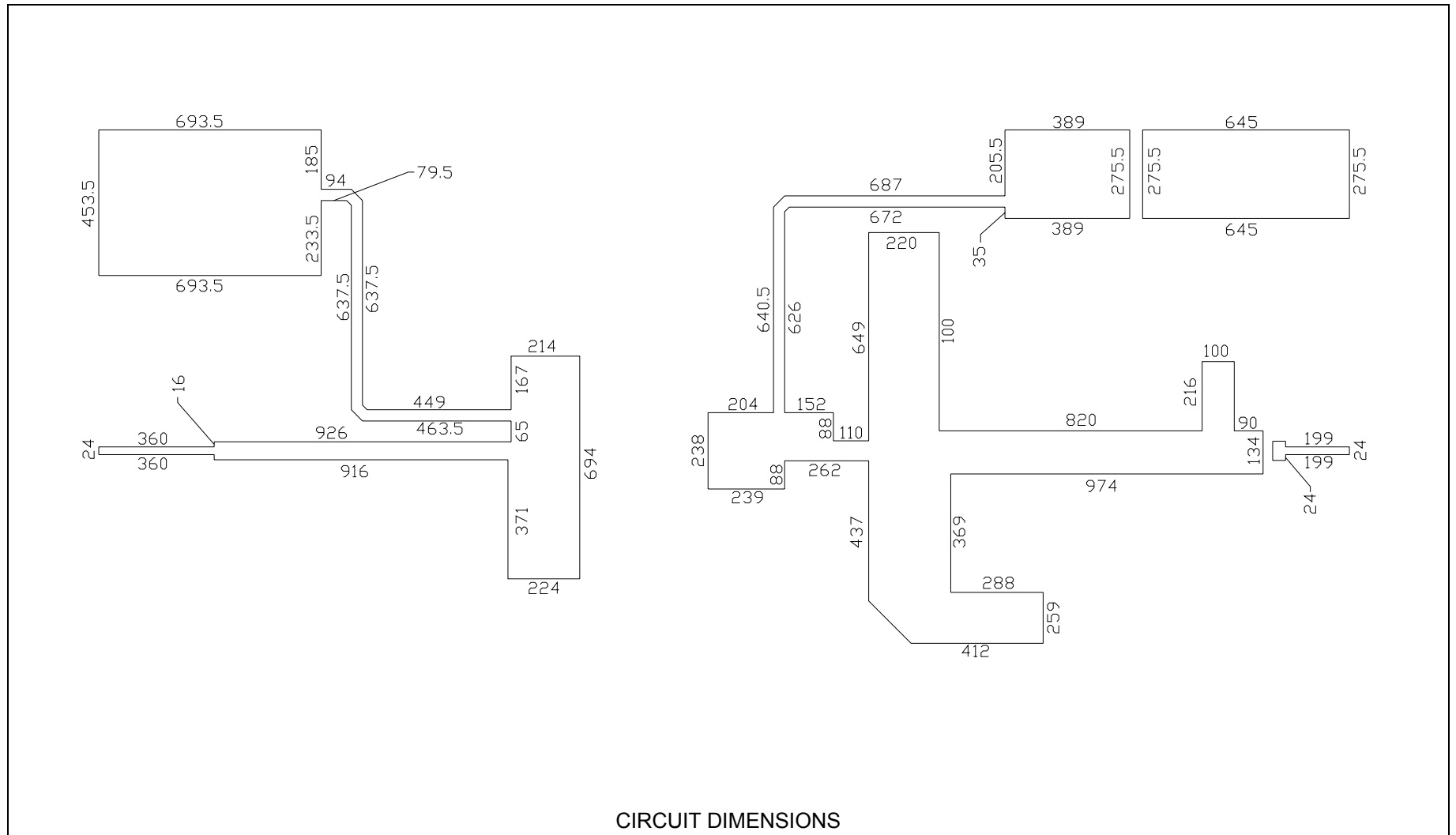
NOTICE TO PERSONS RECEIVING THIS DRAWING, INTEGRA TECHNOLOGIES, INC. CLAIMS PROPRIETARY RIGHTS IN THE MATERIAL DISCLOSED HEREON. THIS DRAWING MAY NOT BE REPRODUCED NOR MAY IT BE USED TO MANUFACTURE ANYTHING SHOWN HEREON WITHOUT THE WRITTEN PERMISSION OF INTEGRA TECHNOLOGIES, INC.

DOCUMENT NUMBER: IB0810M12	REV: NC
SHEET NAME: 06-OUTLINE	REV: NC

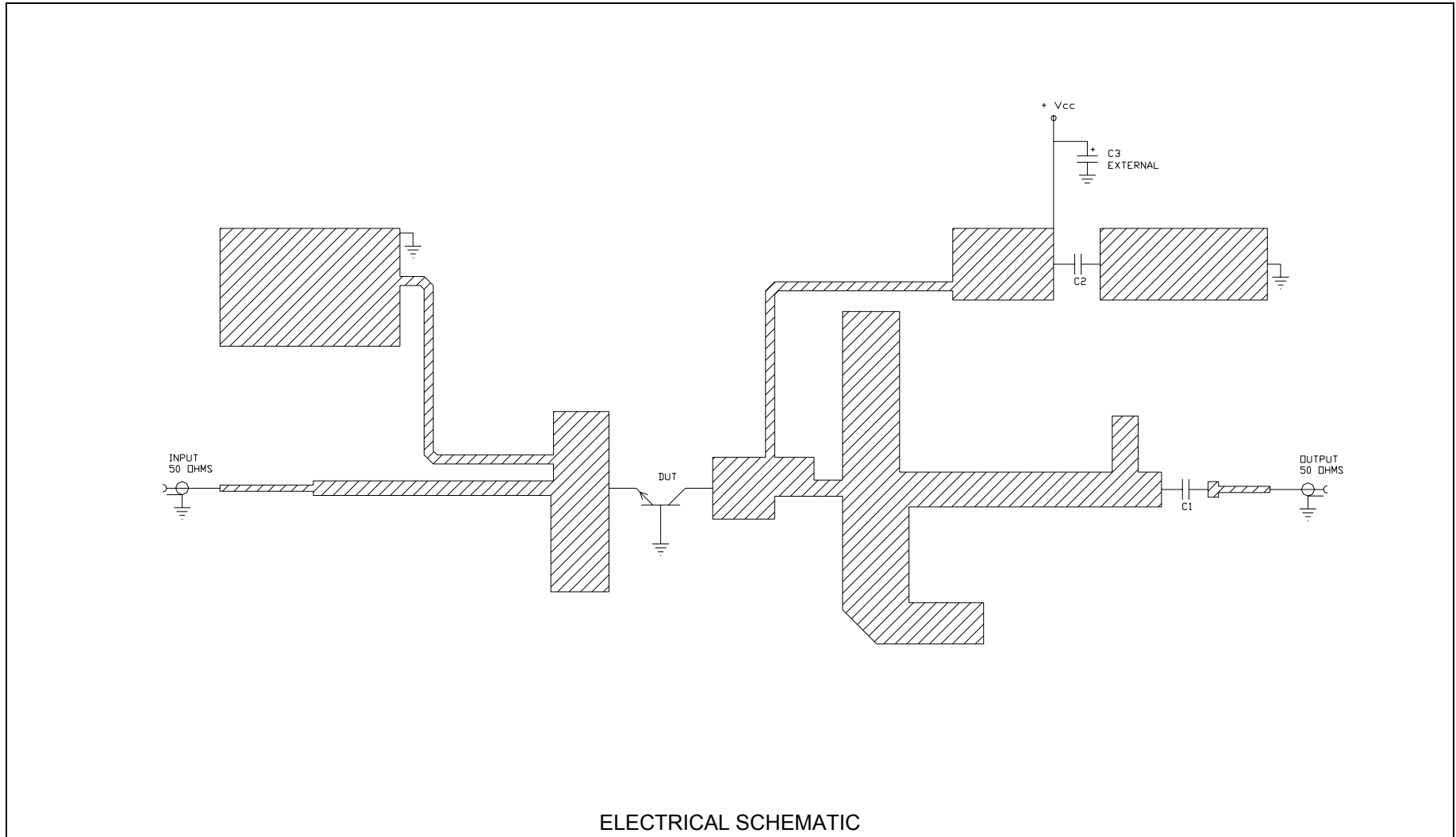
RF TEST FIXTURE



RF TEST FIXTURE



RF TEST FIXTURE



DEFINITIONS

Data Sheet Status	
Proposed Specification	This data sheet contains proposed specifications.
Preliminary Specification	This data sheet contains specifications based on preliminary measurements and data.
Product Specification	This data sheet contains final product specifications.
Maximum Ratings	
Stress above one or more of the maximum ratings may cause permanent damage to the device. These are maximum ratings only. Operation of the device at these or at any other conditions above those given in the characteristics sections of the specification is not implied. Exposure to maximum values for extended periods of time may affect device reliability.	

WARNING

Product and environmental safety - toxic materials
This product contains beryllium oxide. The product is entirely safe provided that the BeO base is not damaged. All persons who handle, use or dispose of this product should be aware of its nature and of the necessary safety precautions. After use, dispose of as chemical or special waste according to the regulations applying at the location of the user. It must never be thrown out with general or domestic waste.

DISCLAIMER

Integra Technologies Inc. reserves the right to make changes without further notice to any products herein. Integra Technologies Inc. makes no warranty, representation or guarantee regarding the suitability of its products for any particular purpose, nor does Integra Technologies Inc. assume any liability arising out of the application or use of any product or circuit, and specifically disclaims any and all liability, including without limitation consequential or incidental damages. Integra Technologies Inc. products are not designed for use in life support appliances, devices, or systems where malfunction of these products can reasonably be expected to result in personal injury. Integra Technologies Inc. customers using or selling these products for use in such applications do so at their own risk and agree to fully indemnify Integra Technologies Inc. for any damages resulting from such improper use or sale.
--