

# Part Number: ILD0814CW60



TECHNOLOGIES, INC.

## 60W Broadband RF Power LDMOS FET

The high power transistor part number ILD0814CW60 is designed for the frequency band 850-1450 MHz. Operating at CW conditions this LDMOS FET device supplies a minimum of 60 watts of power across the instantaneous operating bandwidth of 850-1450 MHz. All devices are 100% screened for large signal RF parameters.



### Silicon LDMOS FET

- High Power Gain
- Superior thermal stability

### Class AB Operation

- Gate biased to  $I_{DQ} = 250 \text{ mA}$

### Configuration

- Common Source

### Gold Metal

- Maximum Reliability

### Package

- Thermally enhanced
- Pb-free and RoHS-compliant

### Epoxy Sealed Lid

- Gross Leak Qualified

### RF Test Fixture

- Broadband
- Matched to  $50\Omega$
- Long-term Correlation
- 100% Device RF Screening
- No External Tuning required

## PRODUCT DATA

## PRODUCT DATA

## PRODUCT DATA

General Information ILD0814CW60	Test Sequence Name	Freq (MHz)	PIN (W)	RL (dB)	POUT (W)	GP (dB)	Gf (dB)	Id (A)	nd (%)	VSWR-LMT 1.5:1 (P-F)	VSWR-LMT 3:1 (P-F)
Date:	5/13/2009										
Assbly Lot - SN :	50012372-10	Nominal	850	5.0	-12.3	102.0	13.10	--	5.631	60.4	P
Wafer :	NA										
Test Fixture :	NA	Nominal	950	5.0	-17.5	85.0	12.30		5.866	48.3	P
Pass / Fail :	Device Passes										
OPERATOR:	FB	Nominal	1050	5.0	-14.5	86.0	12.36	--	5.303	54.1	P
Conditions: CW											
Vd=30V		Nominal	1150	5.0	-18.0	84.0	12.25	1.83	4.817	58.1	P
Idq=250mA		Nominal	1250	5.0	-18.0	78.0	11.93	--	4.368	59.5	P
		Nominal	1350	5.0	-14.4	75.0	11.76	--	3.809	65.6	P
		Nominal	1450	5.0	-18.0	67.0	11.27	--	3.533	63.2	P

**MAXIMUM RATINGS**

Screen	Parameter	Symbol	Min	Max	Units	Test Conditions
BD	Drain-Source Voltage	$V_{DSS}$	--	65	V	--
BD	Gate-Source Voltage	$V_{GS}$	-0.5	12	V	--
BD	Storage Temperature Range	$T_{STG}$	-40	+150	°C	--
BD	Operating Junction Temperature Range	$T_J$	-55	+200	°C	--
Note	Screen 'BD' = parameter qualified By Design.					

**THERMAL CHARACTERISTICS**

Screen	Parameter	Symbol	Min	Max	Units	Test Conditions
BD	Thermal Resistance	$R_{TH(JC)}$	--	1.25	°C/W	$V_{DS}=30V, I_{DQ}=250mA, T_F=25\pm5^\circ C, P_{IN}=5W, CW, F=F1, F2, F3, F4, F5, F6, F7.$
Note	Screen 'BD' = parameter qualified By Design.					

**PROCESSING SPECIFICATIONS**

Screen	Parameter	Symbol	Min	Max	Units	Test Conditions
100%	DC Wafer Probe	--	--	--	--	Per Integra specification.
Q1	Wafer DC and RF Qualification	--	--	--	--	Per Integra specification.
LM	Wire Bond Strength	--	--	--	--	Line monitor per Integra specification.
100%	Pre-cap visual inspection	--	--	--	--	Per Integra specification
100%	Gross leak test	--	--	--	--	MIL-STD-750D, Method 1071, Test Condition C
Note	Screen 'Q1' = parameter is qualified by assembly and test of 3 pieces minimum per wafer.					
Note	Screen 'LM' = parameter is qualified by assembly line monitor.					

**DC ELECTRICAL CHARACTERISTICS**

Screen	Parameter	Symbol	Min	Max	Units	Test Conditions
100%	Drain-Source Breakdown Voltage	$BV_{DSS}$	65	--	V	$I_D = 10mA, V_{GS} = 0V, T_F = 25\pm5^\circ C$
100%	Drain Leakage Current	$I_{DSS}$	--	2	$\mu A$	$V_{DS} = 30V, V_{GS} = 0V, T_F = 25\pm5^\circ C$
100%	Gate Threshold Voltage	$V_{GSTH}$	1.5	2.5	V	$I_{DQ} = 100mA, V_{DS} = 5V, T_F = 25\pm5^\circ C$
100%	Gate Leakage Voltage	$I_{GSS}$	--	1	$\mu A$	$V_{GS} = 5V, V_{DS} = 0V, T_F = 25\pm5^\circ C$

**RF ELECTRICAL CHARACTERISTICS**

Screen	Parameter	Symbol	Min	Max	Units	Test Conditions
100%	Input Return Loss	RL	-18	-6	dB	$V_d=30V, P_{IN} = 5W, CW, I_{dq}=250mA, T_F=25\pm 5^\circ C, F=F1, F2, F3, F4, F5, F6, F7.$
100%	Power Gain	$G_p$	10.8	13.3	dB	$V_d=30V, P_{IN} = 5W, CW, I_{dq}=250mA, T_F=25\pm 5^\circ C, F=F1, F2, F3, F4, F5, F6, F7.$
100%	Output Power	$P_o$	60	107	W	$V_d=30V, P_{IN} = 5W, CW, I_{dq}=250mA, T_F=25\pm 5^\circ C, F=F1, F2, F3, F4, F5, F6, F7.$
100%	Drain Efficiency in Lower Band	$\eta_{dA}$	42	80	%	$V_d=30V, P_{IN} = 5W, CW, I_{dq}=250mA, T_F=25\pm 5^\circ C, F=F1, F2, F3, F4.$
100%	Drain Efficiency in Higher Band	$\eta_{dB}$	50	80	%	$V_d=30V, P_{IN} = 5W, CW, I_{dq}=250mA, T_F=25\pm 5^\circ C, F=F5, F6, F7$
100%	Load Mismatch Tolerance In Power Band	LMTA	1.5:1	--	--	$V_d=30V, P_{IN} = 5W, CW, I_{dq}=250mA, T_F=25\pm 5^\circ C, F=F1, F2, F3, F4$ Rotate 1.5:1 output VSWR through 360° phase. Survival.
100%	Load Mismatch Tolerance	LMTB	3:1	--	--	$V_d=30V, P_{IN} = 5W, CW, I_{dq}=250mA, T_F=25\pm 5^\circ C, F=F5, F6, F7.$ Rotate 3:1 output VSWR through 360° phase. Survival.
100%	Gain Flatness	$G_f$	--	2.5	dB	$V_d=30V, P_{IN} = 5W, CW, I_{dq}=250mA, T_F=25\pm 5^\circ C, F=F1, F2, F3, F4, F5, F6, F7.$
Note 1	F1= 850 MHz, F2= 950 MHz, F3= 1050 MHz, F4= 1150 MHz, F5= 1250 MHz, F6= 1350 MHz, F7= 1450 MHz.					
Note 2	$T_F$ = Device flange temperature.					
Note 3	Screen 'BD' = parameter qualified By Design.					

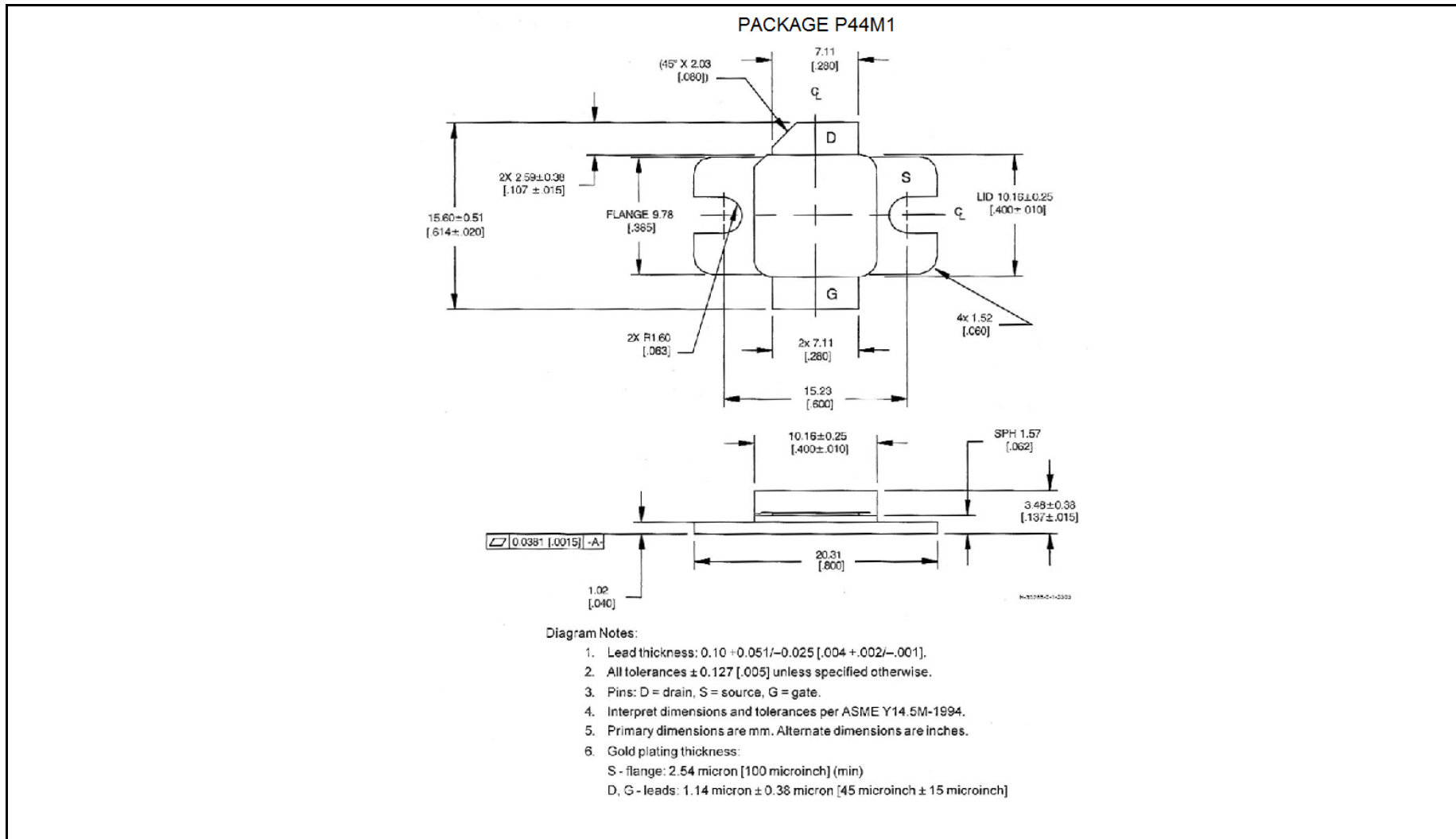
**RF TEST FIXTURE IMPEDANCE CHARACTERISTICS**

Frequency (MHz)	$Z_{IF} (\Omega)$	$Z_{OF} (\Omega)$
850	2.02 - j1.59	3.57 - j3.59
950	2.25 - j0.82	3.64 - j2.57
1050	2.61 - j0.35	3.83 - j1.81
1150	2.89 - j0.25	4.00 - j1.32
1250	2.77 - j0.40	4.06 - j1.07
1350	2.21 - j0.36	3.88 - j0.94
1450	1.60 + j0.11	3.49 - j0.70

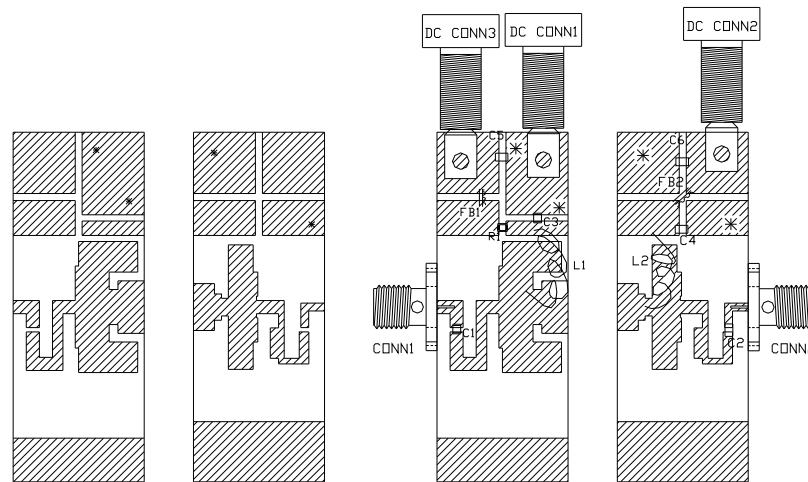
50  $\Omega$ hm

50  $\Omega$ hm

**PACKAGE DIMENSIONAL OUTLINE DRAWING**

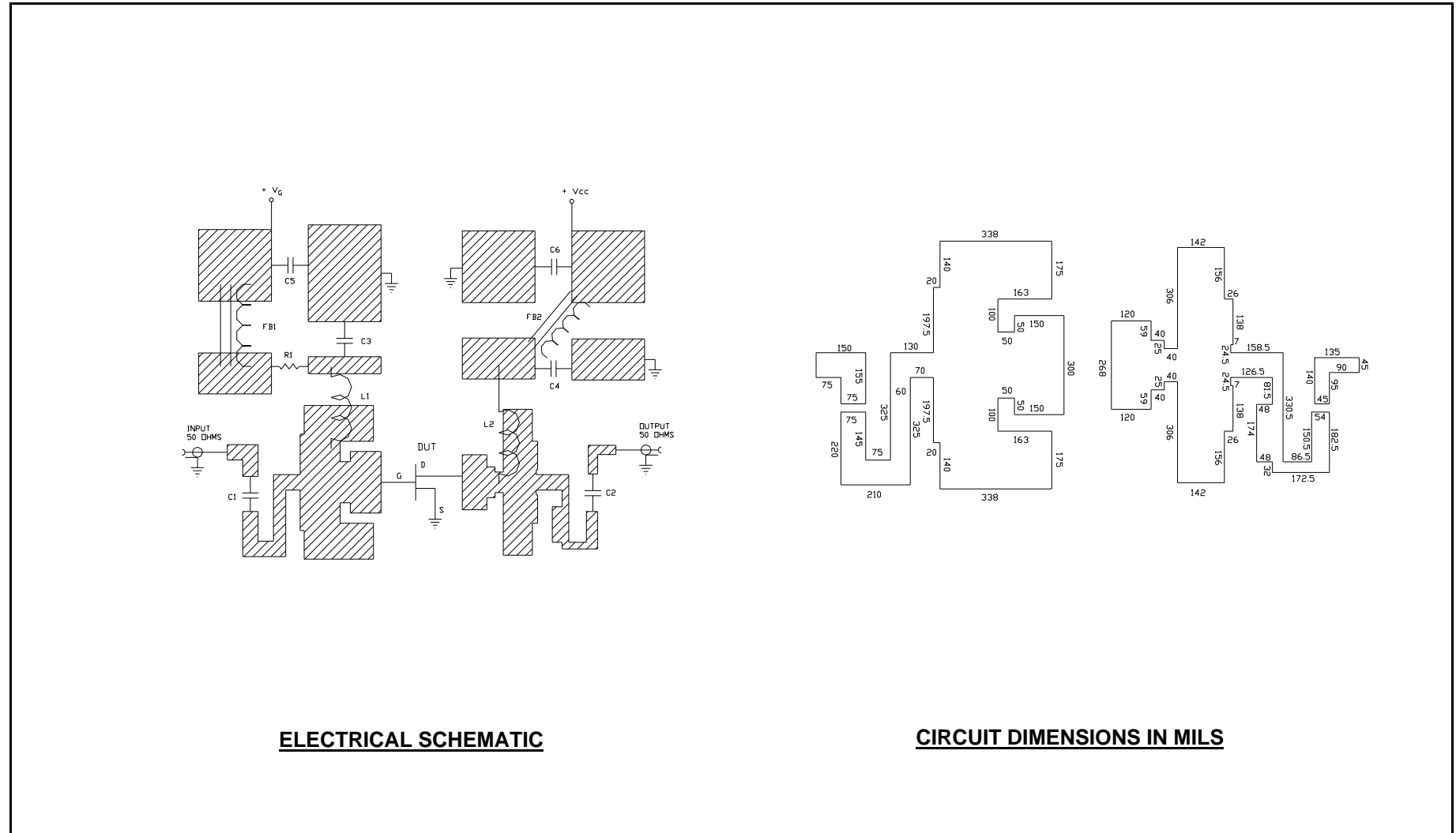


**RF TEST FIXTURE**



COMPONENT	DESCRIPTION
DUT	TRANSISTOR #ILD0814CW60, MOUNT HARD TO THE RIGHT
PC BOARD	ROGERS RT6010.2LM 1oz. Cu BOTH SIDES
C1, C2, C3, C4	CHIP CAPACITOR, 33 pF
C5	CHIP CAPACITOR, 3300 pF
C6	CHIP CAPACITOR, 1uF
GS	GROUND SHIM, COPPER, TH=0.001" *
CONN1, CONN2	SMA CONNECTOR, TYPE QS #2052-5636-02
INPUT PC BOARD CARRIER	2 INCH BRASS - 02
OUTPUT PC BOARD CARRIER	2 INCH BRASS - 02
TRANSISTOR CARRIER	2 INCH COPPER - 15
TRANSISTOR CLAMP	NORYL CLAMP -15
HEATSINK	2 INCH HEATSINK - 11
DC CONN1	BANANA JACK, BLACK
DC CONN2	BANANA JACK, RED
DC CONN3	BANANA JACK, BLUE
FB1, FB2	FERRITE BEAD
R1	CHIP RESISTOR, 10 ohms
L1, L2	INDUCTOR, 6 TURNS, WIRE# 22, ID= 0.100"
NOTE	FIXTURE HARDWARE DRAWINGS AVAILABLE ON REQUEST

**RF TEST FIXTURE**



**DEFINITIONS**

<b>Data Sheet Status</b>	
Proposed Specification	This data sheet contains proposed specifications.
Preliminary Specification	This data sheet contains specifications based on preliminary measurements and data.
Product Specification	This data sheet contains final product specifications.
<b>Maximum Ratings</b>	
Stress above one or more of the maximum ratings may cause permanent damage to the device. These are maximum ratings only. Operation of the device at these or at any other conditions above those given in the characteristics sections of the specification is not implied. Exposure to maximum values for extended periods of time may affect device reliability.	

**DISCLAIMER**

Integra Technologies Inc. reserves the right to make changes without further notice to any products herein. Integra Technologies Inc. makes no warranty, representation or guarantee regarding the suitability of its products for any particular purpose, nor does Integra Technologies Inc. assume any liability arising out of the application or use of any product or circuit, and specifically disclaims any and all liability, including without limitation consequential or incidental damages. Integra Technologies Inc. products are not designed for use in life support appliances, devices, or systems where malfunction of these products can reasonably be expected to result in personal injury. Integra Technologies Inc. customers using or selling these products for use in such applications do so at their own risk and agree to fully indemnify Integra Technologies Inc. for any damages resulting from such improper use or sale.